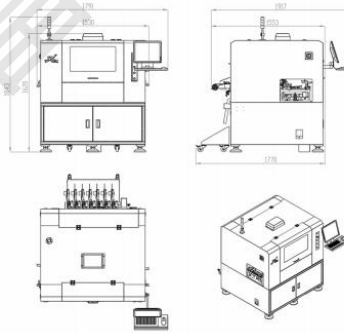


## 全自动立式插件机 Mini

### Fully automatic vertical plug-in machine Mini



Mini机三视图



型号	Model	Mini
理论速度	Theoretical speed	0.19秒/点 0.19 seconds/point
插入方向	Insertion angle	标准: $-90^{\circ} \sim +90^{\circ}$ , $360^{\circ}$ 可选, 增量为 $1^{\circ}$ Standard $-90^{\circ} \sim +90^{\circ}$ , $360^{\circ}$ optional, high-density plug-in mode, with increments of 1;
基板传送高度	Substrate conveying height	$900 \pm 20$
基板传送速度	Substrate transfer speed	3 sec
引线跨距	Lead span	双间距2.5/3.5/ 5.0/7.5/10.0mm(可选配) Double spacing 2.5/3.5/ 5.0/7.5/10.0mm optional
基板尺寸	PCB size	最小50mm*50mm, 最大280*260mm min. 50 mm * 50 mm, max. 280*260mm
基板厚度	PCB thickness	0.79~2.36mm (标准: 1.6mm) 0.79-2.36mm(Standard: 1.6mm)
PCB上下元件可通过高度	PCB upper and lower components can pass through height	上23mm/下8mm 23mm above/8mm below
元件规格	Components specifications	最大高度为23mm, 最大直径为13mm(可定制) Maximum height is 23mm, maximum diameter is 13mm (customizable)
元件种类	Components style	电容器、晶体管、三极管、LED灯、按键开关、电阻、连接器、弹簧、电位器、保险丝座、熔断丝等立式编带封装料, 纸带孔距12.7mm/15.0mm Vertical tape packaging materials such as capacitors, transistors, transistors, LED lights, key switches, resistors, connectors, springs, potentiometers, fuse holders, fuse links, etc., with a paper tape hole spacing of 12.7mm/15.0mm
元件引线剪角长度	Cut&Clinch length	1.2~2.2mm(可调) 1.2~2.2mm adjustable
元件引线弯角角度	Clinch angle	5-45°(可调) 5~45°adjustable
设备尺寸(长*宽*高)	Equipment size (length * width * height)	(7站位)L1560mm*W1530mm*H1620mm (7 stations) L1560mm * W1530mm * H1620mm

机器重量	Weight	约 900kg    Approximately 900kg
使用电源/功率	Power requirement	220V,AC (单相) 50/60HZ , 1.5KW AC220V,single phase,50/60Hz,1.5kw
使用气压/用气量	Use air pressure/gas	0.6MPA/0.3立方米/分钟 0.6 MPA / 0.3 m <sup>3</sup> / min
孔位校正方式	Hole position offset method	CCD影像视觉系统,多点MARK视觉校正 CCD Image visual systems, multi-point MARK visual correction.
驱动系统	Driving system	AC伺服,AC马达    AC servo, AC motors
底座驱动方式	Base drive mode	电磁阀+精密气缸 Imported solenoid valve+precision cylinder
CTA送料方式	CTA feeding method	电磁阀+精密气缸 Imported solenoid valve+precision cylinder
编程方式	Programming method	离线/在线 (快速扫描编程功能) Offline/Online (Quick Scan Programming Function)
数据输入方式	Data input methods	USB接口输入(EXCEL文档格式) USB input (EXCEL document-format)
不良PCB板识别	Identification of defective PCB board	具有不良PCB板自动识别功能 Equipped with automatic recognition function for defective PCB boards
防漏件系统	Leak proof component system	自动识别补料 Automatic identification of replenishment materials
控制系统	Control system	Windows操作系统中英文界面、视窗平台、液晶显示 Windows operating system, Chinese and English interface, Windows platform, LCD display
线路板输送方式	Circuit board transportation mode	全自动: 左→右 (标准) 或右→左 (选配) Fully automatic: left right (standard) or right left (optional)